

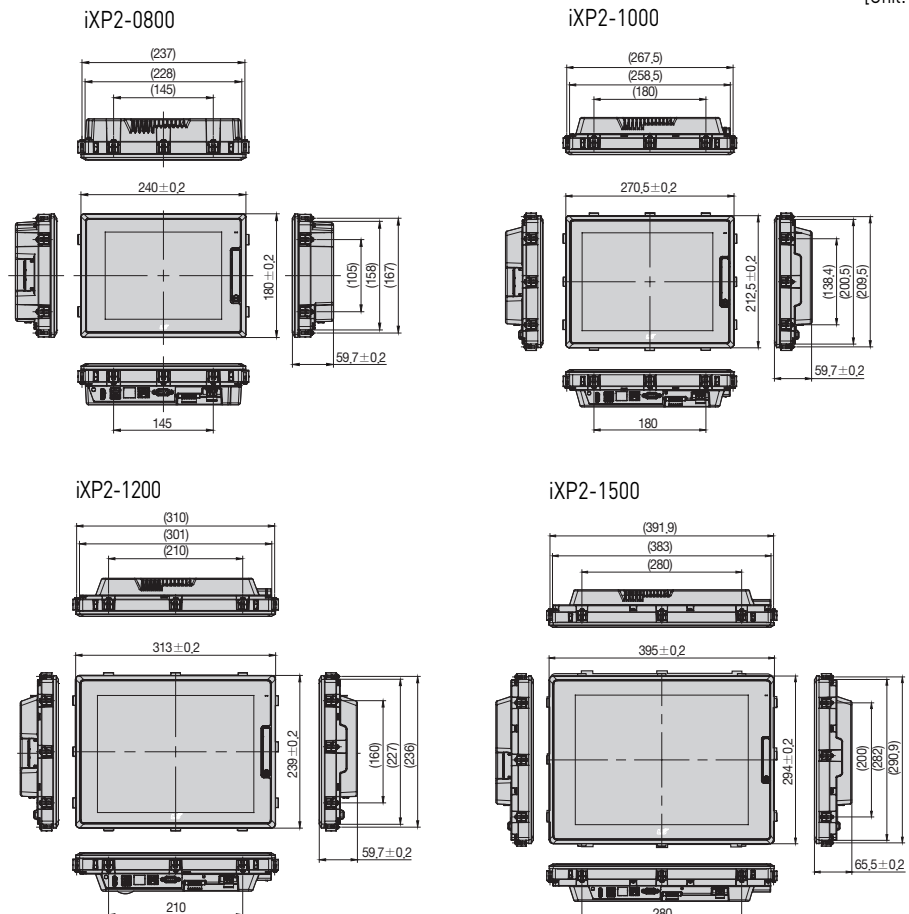
iXP2 Series

- Aluminum body frame, responsive touch screen.
- Easy-to-use Multi-touch, gesture, dual screen, portrait mode.
- Multi connected with 1Gbits 2ch. Ethernet between PC to PLC.
- Various interfaces : USB host /device, SD card, HDMI.
- High resolution : 1024 X 768
- IP66, UL type 4x, NEMA 4x standards



Dimensions

[Unit: mm]



General Information

Item	Description	Standard		
Ambient temperature	0°C~+50°C			
Storage temperature	-20°C~+60°C			
Ambient humidity	10~85%RH, without dew condensation			
Storage humidity	10~85%RH, without dew condensation			
Vibration resistance	Occasional Vibration		Counts 10 times each direction (X, Y and Z) IEC 61131-2	
	Frequency	Acceleration		Amplitude
	5 ≤ f < 9Hz	-		3.5mm
	9 ≤ f ≤ 150Hz	9.8%		-
	Continuous Vibration			
	Frequency	Acceleration		Amplitude
	5 ≤ f < 9Hz	-		1.75mm
9 ≤ f ≤ 150Hz	4.9%	-		
Shock resistance	Maximum shock acceleration: 147%(15g) Authorization time: 11ms Pulse waveform: Half-sine wave pulse (3 times each of X,Y and Z)	IEC 61131-2		
Noise resistance	Square wave impulse noise	DC: ±1,200V AC: ±1,600V	LSIS Standards	
	Electrostatic discharge	±4kV (Contact discharge)	IEC 61131-2, IEC 61000-4-2	
	Radiated electromagnetic field noise	80 ~ 100MHz, 10V/m	IEC 61131-2, IEC 61000-4-3	
	Fast transient/Burst noise	Power module: 2.4 kV, Communication interface: 1.2kV	IEC 61131-2, IEC 61000-4-4	
Operating ambience	Free from corrosive gas and excessive dust			
Altitude	2,000m (6,562ft) or below			
Pollution degree	2 or under			
Cooling method	Natural air-cooling			

Specifications

Item	iXP2-0800A/D	iXP2-1000A/D	iXP2-1200A/D	iXP2-1500A/D
Display type	TFT color LCD			
Screen size	8.4"	10.4"	12.1"	15"
	800×600 pixel		1024×768 pixel	
Color indication	32-bits true color (16.7M)			
Backlight	LED, Auto On/Off			
Backlight duration	50,000 hours			
Touch panel	Capacitive touch			
Process	1GHz, Dual-Core CPU			
Memory	Flash	1GByte		
	Operating RAM	1GByte		
	Backup RAM	1MByte		
Backup data	Date/Hour data, Logging/Alarm/Recipe data and nonvolatile device			
Battery duration	Approx. 3 years (Operating ambient temperature of 25°C / 77°F)			
Interface	Video out	1 x HDMI		
	Sound out	1 x Line-Out		
	Ethernet	1 x 10/100Base-TX, 1 x 10/100/1000Base-TX		
	USB host	3 x USB 2.0 (Front x 1, Rear x 2)		
	USB device	1 x USB 2.0 (Front, for download an upload project data)		
Serial	1 x RS-232C (D-SUB 9/Male type), 1 x RS-422/485 (Isolated, Terminal block)			
Certifications	CE, UL (cUL), KC			
Protection standard	IP66, Conform to the UL type 4x, NEMA 4x standard			
Dimension (mm)	240.0×180.0×59.7	270.5×212.5×59.7	313.0×239.0×59.7	395.0×294.0×65.5
Panel cut (mm)	228.5×158.5	259.0×201.0	301.5×227.5	383.5×282.5
Power	iXP2-xxxxA : AC100/240V, iXP2-xxxxD : DC24V			
Weight(Kg)	1.87	2.35	3.1	4.6

List of Communication Drivers

Manufacturer	Driver name
LSIS	GM CPU
	GM Cnet
	GM Enet
	MK CPU
	MK Cnet
	MK Enet
	XGK CPU
	XGK Cnet
	XGK Enet
	XGK CPU Enet
	XGK EtherNet/IP
	XGB CPU
	XGB Cnet
	XGB Enet
	XGB EtherNet/IP
	XGB Cnet - VCB Trip
	XGI/XGR CPU
	XGI/XGR Cnet
	XGI/XGR Enet
	XGI/XGR CPU Enet
	XGI/XGR EtherNet/IP
	XEC CPU
	XEC Cnet
	XEC Enet
	XEC EtherNet/IP
	XMC Enet
	Inverter (LS INV 485)
	Inverter (MODBUS)
	User Defined Protocol
	User Defined Protocol (Slave)
XGT Servo	
LS Mecapion	VS/VP Servo Drive
	MXQ Series
BACnet	BACnet IP Master
BYD Auto	BYD Auto dedicated
CAN in Automation	CANopen Slave
Control Techniques	CT Modbus RTU
DAEWON GSI	DAEWON GSI dedicated controller
Dasarobot	iM-SIGMA series
Delta Electronics	DVP Series
Digital Eelectronics(Pro-face)	Memory Link
Fuji Electric Systems	MICREX-SX Series SIO
	MICREX-SX Ethernet
GE Intelligent Platforms	SNP
	SNP-X
HANYOUNG NUX	Temperature Controller
HIGEN Motors	Servo
Hitachi	H Series Ethernet
	H Series Link
HYUNDAI Elevator	SKY-RAV(Ethernet)
	SKY-RAV(Link)

Manufacturer	Driver name
KDT Systems	CIMON Serial Link
	BP Series Loader
	CP Series Loader
	XP Series Loader
KEYENCE	KV-700/1000/3000/5000/5500 Serial
	KV-700/1000/3000/5000/5500 Ethernet
KOYO Electronic	DirectNet
KTURBO	Turbo Blower
Lenze Automation	Lecom A/B
Mitsubishi Electric	MELSEC A-CPU
	MELSEC A-Link
	MELSEC FX-CPU
	MELSEC FX-Ethernet
	MELSEC FX-Link
	MELSEC Q-CPU
	MELSEC QnA-Link
	MELSEC QnA-Ethernet
	MELSEC QnU CPU Ethernet
	MELSEC iQ-R Ethernet
	MELSEC iQ-F Ethernet
	MELSEC iQ-F Link
	MELSERVO-J2
MELSERVO-J3	
OMRON	CS/CJ Series Ethernet
	CS/CJ Host Link
	C Series Host Link
	CS1 EthernNet/IP
	CJ2 EthernNet/IP
Panasotic Electric	FP Series
	MINAS Servo
Parker	Hi-Drive
PROFIBUS International	PROFIBUS DP Slave
Rockwell Automation	Compact/ControlLogix EtherNet/IP
	MicroLogix EtherNet/IP
	SLC500 Series DF1
	Compact/ControlLogix DF1
	MicroLogix DF1
	Micro800 Series (DF1)
RS Automation	EtherNet/IP Micro800 Series
	N/NX-CCU
Schneider Electric	NX-CCU+
	MODBUS RTU Master
	MODBUS RTU Slave
	MODBUS TCP Master
	MODBUS TCP Slave
	MODBUS ASCII Master
	MODBUS ASCII Slave
SEW EURODRIVE	MOVIDRIVE Serial
Siemens AG	S7 3964(R)/RK512
	S7 MPI(Adapter)
	S7 PPI

Manufacturer	Driver name
Siemens AG	S7 3964(R)/RK512
	S7 MPI(Adapter)
	S7 PPI
	LOGO Ethernet
	S7 1200/1500 Ethernet
	S7 300/400 Ethernet
Sprint Electric	DC Motor Drive Ethernet
YASKAWA Electric	MEMOBUS RTU Master
	MP Series Ethernet (Extension)
	YASKAWA: High-Speed Ethernet Server
YOKOKAWA Electric	FA-M3 Series
	FA-M3 Series-Ethernet
Beckhoff	ADS Ethernet
TSSI	VERID+ FingerPrint Reader
FATEC Automation Corporation	FATEK: FB Series Serial
	FATEK: FB Series Ethernet
TemcoLine	Thermometer Controller
Autonics	Thermometer Controller (TK Series)
Yudian	AIBus Protocol
RKC	CB Series Temperature Controller
	FB Series Temperature Controller
Azbil	Temperature Controller
Kolver	EDU 2AE/TOP/TA/MITO
Atras Copco.	MT Focus400
Sick AG	Sick AG: Flexi Soft
IAI	IAI: X-SEL Controller Serial
	IAI: ROBO Cylinder Controller Serial
FANUC	FANUC : Series 0i
Ingenia	Ingenia: EMCL Serial
AERZEN TURBO	AERZEN TURBO: Aerzen-Turbo 1(IIG3)
	AERZEN TURBO: Aerzen-Turbo 2(IIG5)
Kawasaki Heavy Industries	KAWASAKI: UNIVERSAL CONTROLLER(ETHERNET)
OPC	OPC UA Client