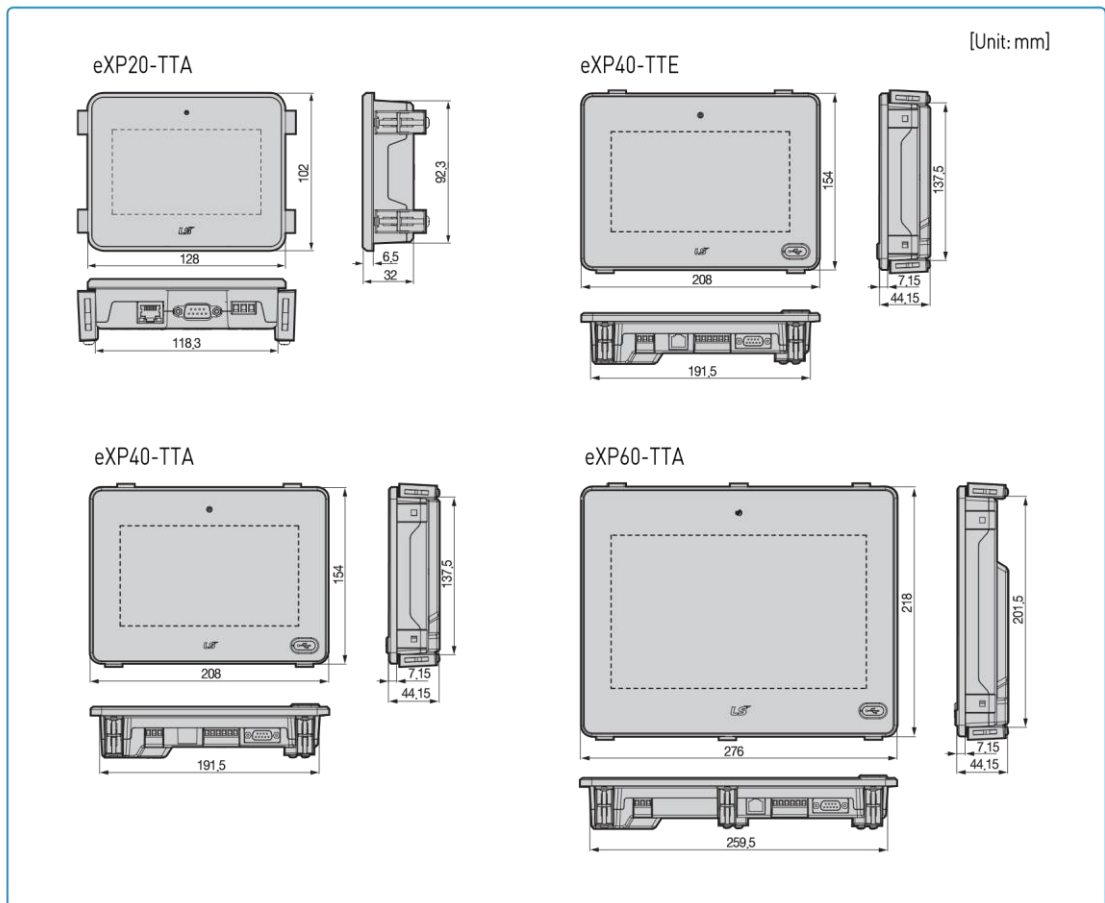


eXP Series

- TFT LCD-applied wide type
- LED Backlight adopted for enhanced contrast ratio and low-power
- PLC Ladder monitoring function:
Only XGK/XBC supports*
- Web Server* / Data Server* /
Path-Through Function*
- Remote Viewer Function*
- Screen editor : XP-Builder
- Functions that support only the TTA model



Dimensions



General Information

Item	eXP20-TTA/DC	eXP40-TTE/DC	eXP40-TTA/DC	eXP60-TTA/DC
Display Type	TFT color LCD			
Display Size	10.9cm (4.3inch)	17.7cm(7 inch)		25.9cm (10.2 inch)
Resolution	480 x 272 (WQVGA)	800 x 480 (WVGA)		
Color	16.7M colors			65,536 colors
Display Angle	Left/Right: 60 deg. Up: 40 deg. Down: 60 deg.			Left/Right: 55 deg. Up: 35 deg. Down: 55 deg.
Backlight	LED mode, Auto On/Off			
Backlight Capacity	30,000 hr or more	20,000 hr or more		
Brightness(LCD)	550 cd/m ²	500cd/m ²		350 cd/m ²
Touch Panel	4-wire system, Analogue			
Sound	Magnetic buzzer (85dB)			
Processor	ARM9 Core (32bit RISC), 454MHz			
Memory	Flash	128MB(Screen 64MB)		
	Operation RAM	128MB		
	Backup RAM	128KB		
Backup Type	Date/Time data, Logging/Alarm /Recipe data, non-volatile device			
Batter Capacity	Around 3 years (Upon operation at 25°C)			
RTC Function	Built-in			
Ethernet	1 channel, 10/100BASE-TX	x	1 channel, 10/100BASE-TX	
USB Port	1 channel, USB 2.0 host (mouse,printer* and keyboard, USB; available memory driver i			
	x	1 channel, USB 2.0 slave (for download and upl ad project file)		
RS-232C	1 channel			
RS-485	x	1 channel		
RS-422/485	1 channel, 422/ 485 Combination			
Multi-language	Up to 12 language simultaneously			
Animation	GIF format is available			
Recipe	available			
Data logging	available			
Script executor	available			
Certification	CE, UL(cUL), KC			
Protection	IP65			
Power	DC24V			
Power Consumption(W)	7.1	23.1		
Weight (kg)	0.3	0.59	0.60	1.0

Communication Protocols

Manufacturer	Protocol	Manufacturer	Protocol	
LSIS	GM CPU	KOYO Electronic	DirectNet	
	GM Cnet	KTURBO	Turbo Blower	
	GM Enet	Lenze Automation	Lecom A/B	
	MK CPU	Mitsubishi Electric	MELSEC A-CPU	
	MK Cnet		MELSEC A-Link	
	MK Enet		MELSEC FX-CPU	
	XGK CPU		MELSEC FX-Ethernet	
	XGK Cnet		MELSEC FX-Link	
	XGK Enet		MELSEC Q-CPU, "U" Type excluded	
	XGK EtherNet/IP		MELSEC QnA-Link	
	XGB CPU		MELSEC QnA-Ethernet	
	XGB Cnet		MELSEC QnU CPU Ethernet	
	XGB Enet		MELSERVO-J2	
	XGB EtherNet/IP		MELSERVO-J3	
	XGI/XGR CPU		OMRON	CS/CJ Series Ethernet
	XGI/XGR Cnet	CS/CJ Host Link		
	XGI/XGR Enet	C Series Host Link		
	XGI/XGR EtherNet/IP	CS1 EthernNet/IP		
	XEC CPU	Panasonic Electric	CJ2 EthernNet/IP	
	XEC Cnet		FP Series	
	XEC Enet		MINAS Servo	
	XEC EtherNet/IP	Parker	Hi-Drive	
	Inverter LSBus	PROFIBUS International	PROFIBUS DP Slave *	
	LS Mecapion	Inverter Modbus	Rockwell Automation	Compact/ControlLogix EtherNet/IP
User Defined Protocol		MicroLogix EtherNet/IP		
User Defined Protocol (Slave)		SLC500 Series DF1		
XGT Servo		Compact/ControlLogix DF1		
BACnet	VS/VP Servo Drive	RS Automation	MicroLogix DF1	
	MXQ Series		N/NX-CCU	
BACnet	IP Master	Schneider Electric	NX-CCU+	
BYD Auto	BYD Auto dedicated		MODBUS RTU Master	
CAN in Automation	CANopen Slave *		MODBUS RTU Slave	
Control Techniques	CT Modbus RTU		MODBUS TCP Master	
DAEWON GSI	DAEWON GSI dedicated controller		MODBUS TCP Slave	
Dasarobot	iM-SIGMA series		MODBUS ASCII Master	
Delta Electronics	DVP Series		MODBUS ASCII Slave	
Digital Electronics(Pro-face)	Memory Link		SEW EURODRIVE	MOVIDRIVE Serial
Fuji Electric Systems	MICREX-SX Series SIO		Siemens AG	S7 3964(R)/RK512
	MICREX-SX Ethernet			S7 MPI(Adapter)
GE Intelligent Platforms	SNP	S7 PPI		
	SNP-X	LOGO Ethernet		
HANYOUNG NUX	Temperature Controller	S7 1200 Ethernet		
HIGEN Motors	Servo	S7 300/400 Ethernet		
Hitachi	H Series Ethernet	Sprint Electric		DC Motor Drive Ethernet
	H Series Link	YASKAWA Electric		MEMOBUS RTU Master
HYUNDAI Elevator	SKY-RAV(Ethernet)	YOKOKAWA Electric		MP Series Ethernet (Extension)
	SKY-RAV(Link)			FA-M3 Series
KDT Systems	CIMON Serial Link	Beckhoff	FA-M3 Series-Ethernet	
	BP Series Loader		ADS Ethernet	
	CP Series Loader	TSSI	VERID+ FingerPrint Reader	
	XP Series Loader	FATEC Automation Corporation	FB Series Serial	
Keyence	KV-700/1000/3000/5000/5500 Serial			
	KV-700/1000/3000/5000/5500 Ethernet			